

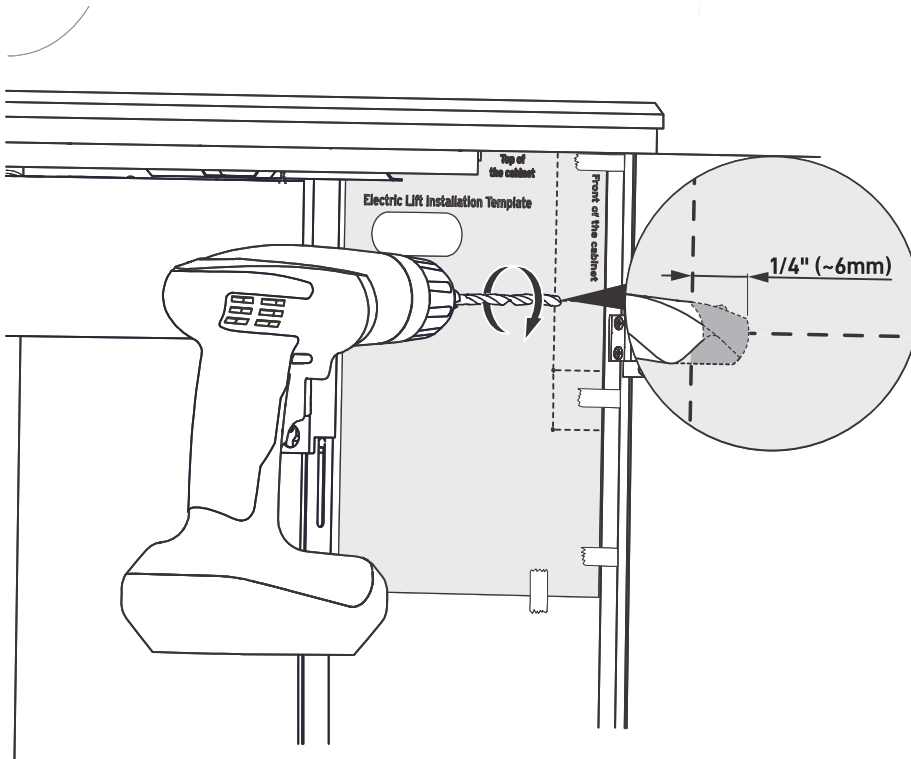
Top of
the cabinet

Front of the cabinet

Electric Lift Installation Template

AUSSIE

Position the template inside the cabinet as shown. The top edge of the template paper should touch the top panel of the cabinet, and the front edge of the template paper should be even with the front edge of the right-hand side panel. Tape the template in place to prevent it from shifting as you drill.



Drill pilot holes NO DEEPER THAN 1/4" into the panel.

DO NOT DRILL ALL THE WAY THROUGH THE PANEL!

Once your pilot holes are drilled, remove the template paper and use the provided screws (3) to mount the Vertical Programmable Controller.